

# AquaStat

## Specifications

Description: Thermostatic Switch  
Type: Bi-metallic Disc, Snap acting  
Enclosure: Environmentally Sealed



## Mounting:

Clip on mount for 1/2" I.D. copper tube (5/8" O.D.)  
Clip on mount for 3/4" I.D. copper tube (7/8" O.D.)

## Contact Rating:

10 amp @ 120 VAC 60 Hz resistive  
5 amp @ 240 VAC 60 Hz resistive

## Temperature Rating:

Low Temp Model

105+5°F (40+2°C) Pump switches off  
85+6°F (29+3°C) Pump switches on

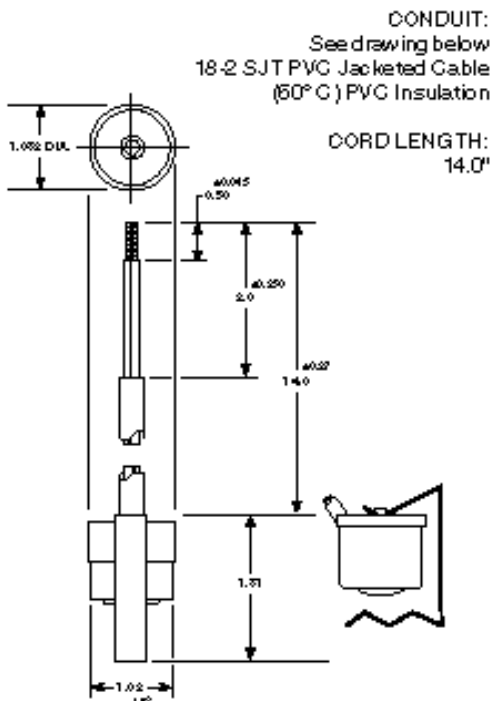
High Temp Model

115+5°F (46+2°C) Pump switches off  
105+5°F (40+2°C) Pump switches on

## Leads:

2 leads, AWG 18, 14"  
12", black insulation, silicon or epoxy overmold  
1/2" STRIP LENGTH

Application: Clip-on thermostatic control for the UP Circulators



NOTE: All dimensions are in inches.

^ Temperatures indicated are at pipe surface.